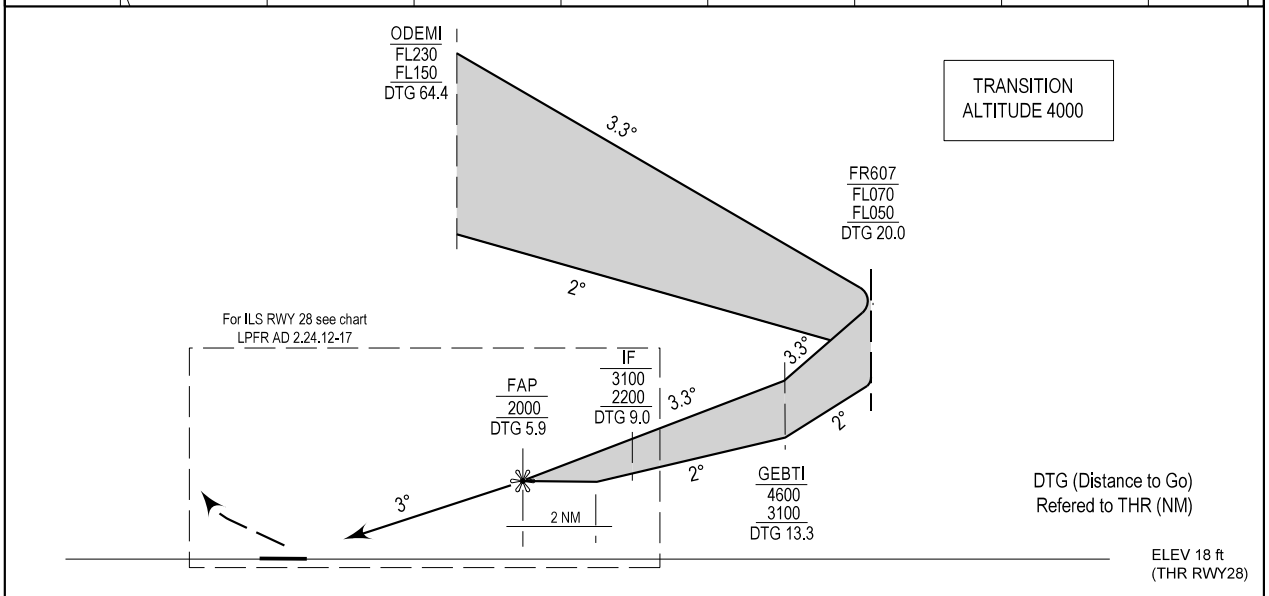
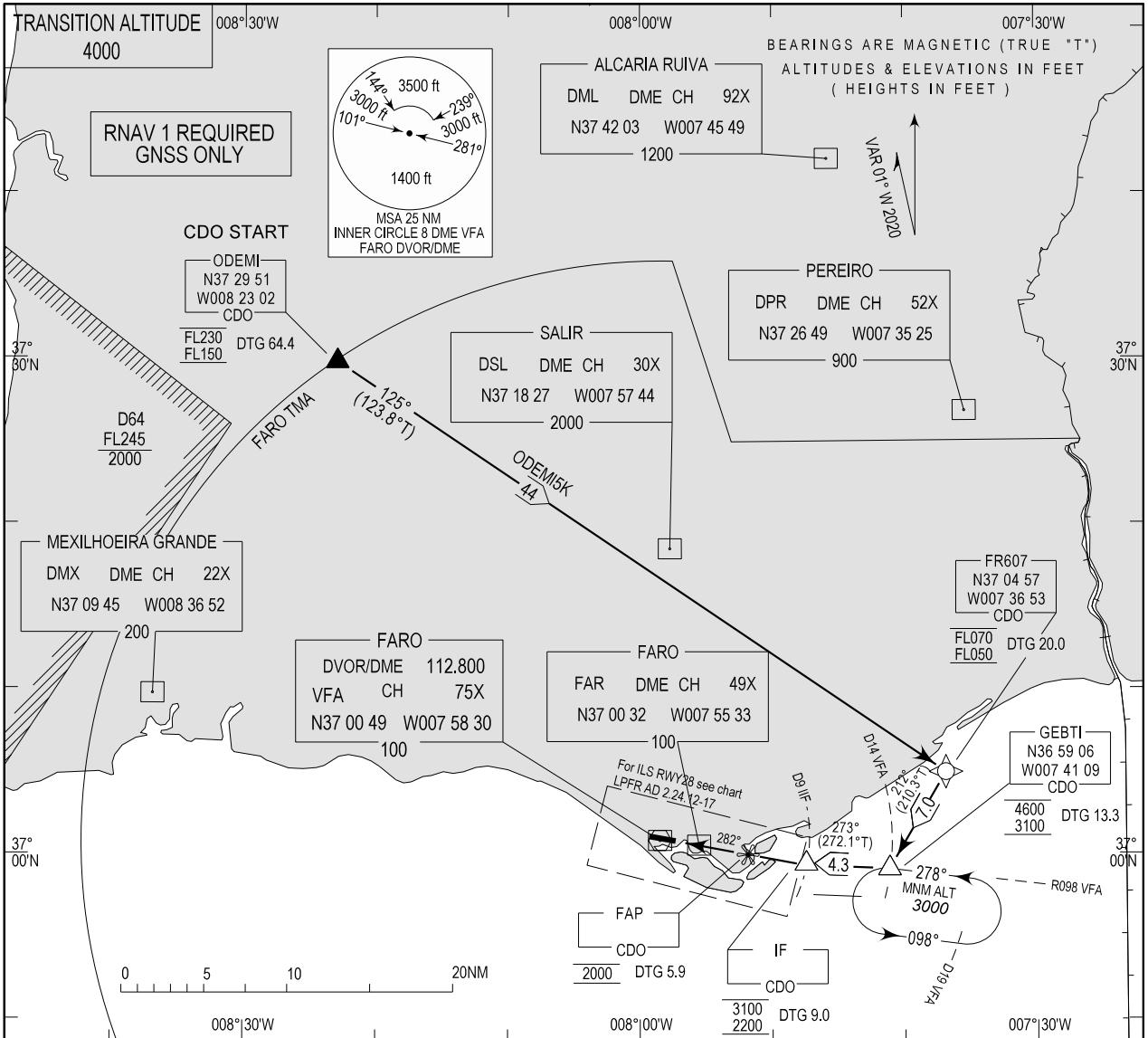


STANDARD ARRIVAL CHART -
INSTRUMENT (STAR)

FARO INFORMATION 124.205
FARO APPROACH 119.405
FARO TOWER 120.755

FARO / LPFR
RNAV CDO RWY28
ODEMI 5K



MAG VAR updated.

STANDARD INSTRUMENT ARRIVAL (STAR) CDO RUNWAY 28										
RNAV 1 – GNSS ONLY										
STAR RNAV 1 CDO ODEMI 5K RWY28										
Path Terminator	Waypoint			Course/Track MAG (True)	Dist NM	Turn Direction	Constraints		Navigation Specification	Remarks
	Identifier	Flyover	Coordinates				Level	Speed		
IF	ODEMI	-	372951.02N 0082302.44W	-	-	-	— FL230 <u>FL150</u>	-	RNAV 1	Clearance limit: GEBTI. CDO start: ODEMI.
TF	FR607	-	370457.31N 0073653.37W	125 (123.8)	44.44	-	— FL070 <u>FL050</u>	-	RNAV 1	
TF	GEBTI	-	365905.99N 0074109.25W	212 (210.3)	6.77	Right	— A4600 <u>A3100</u>	-	RNAV 1	