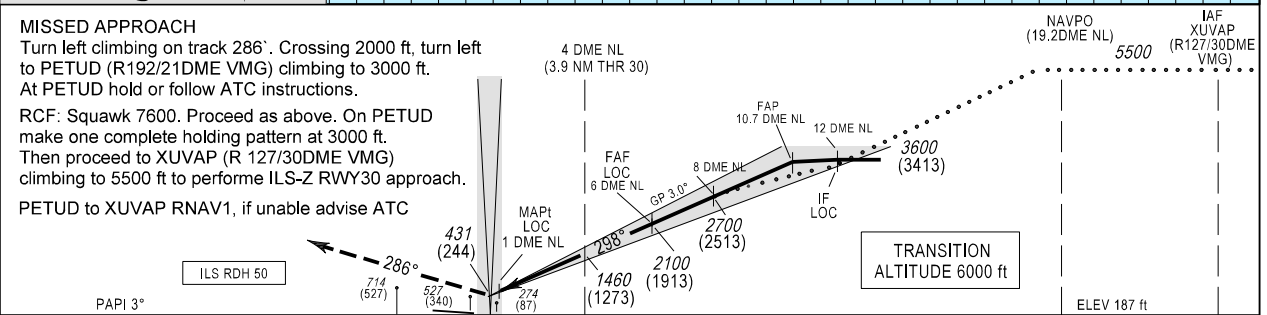
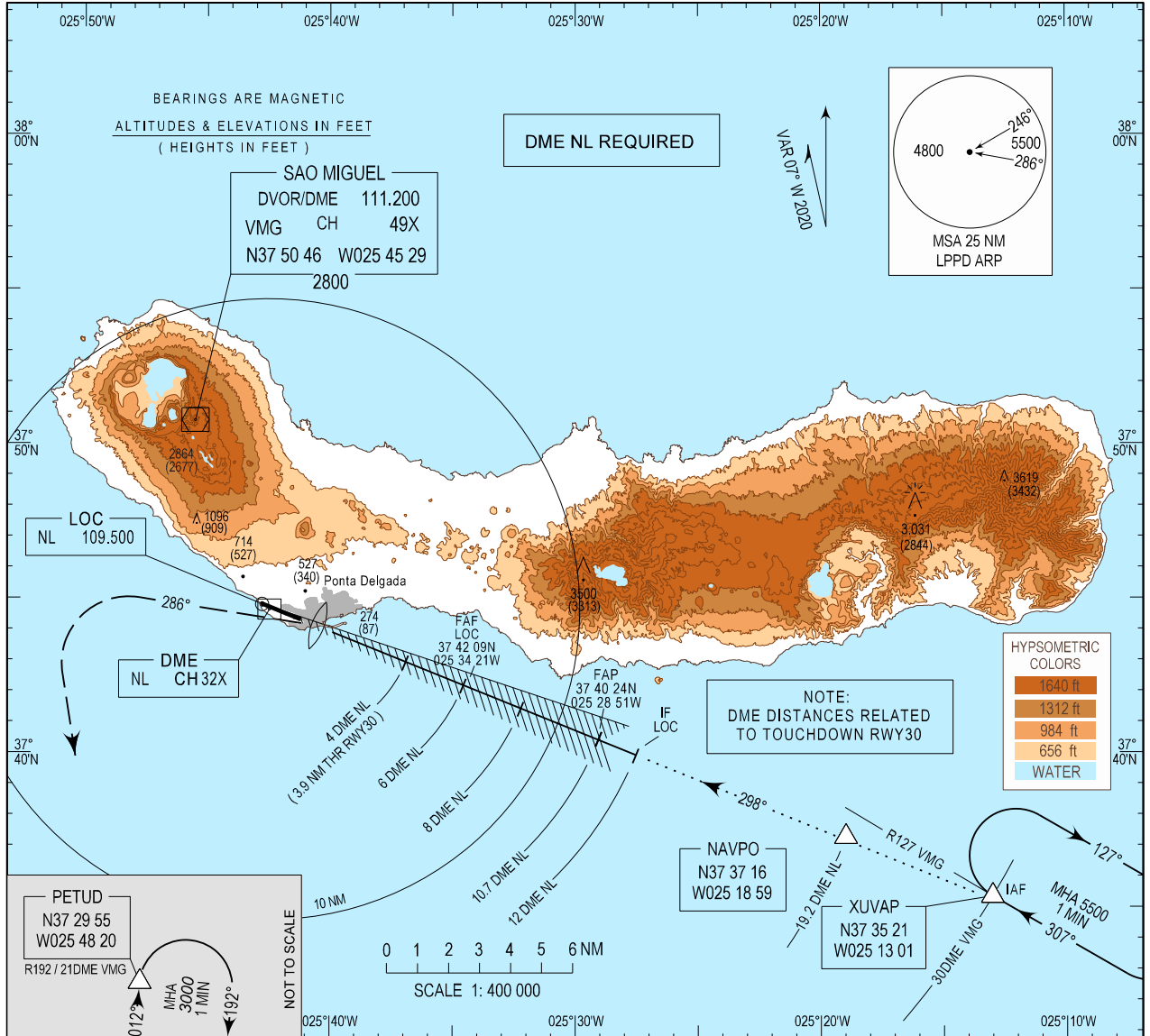


INSTRUMENT APPROACH CHART - ICAO

AD ELEV 259 ft
HEIGHTS RELATED THR RWY 30 - ELEV 187 ft

ATIS 123.900
APP 119.400
TWR 118.300

PONTA DELGADA, João Paulo II (LPPD)
ILS-Z or LOC
RWY 30
CAT C-D



CAT	ILS CAT I		LOC		CIRCLING RWY30	
	DA/H	OCH	MDA/H	OCH	NORTH	SOUTH
C	430 (243)	241	530 (350)	350	NOT AUTHORIZED	850 (591)
D	440 (253)	251	530 (350)	350	AUTHORIZED	950 (691)

LOC 5.2%							
DME-NL	8	7	6	5	4	3	2
Altitude (Height)	2700 (2513)	2400 (2213)	2100 (1913)	1780 (1593)	1460 (1273)	1145 (958)	825 (638)
Rate of descend (5.2%)	kt 100	120	140	160	180	200	220
	ft/min 525	630	735	840	945	1050	1160

MAG VAR updated.

THIS PAGE INTENTIONALLY LEFT BLANK