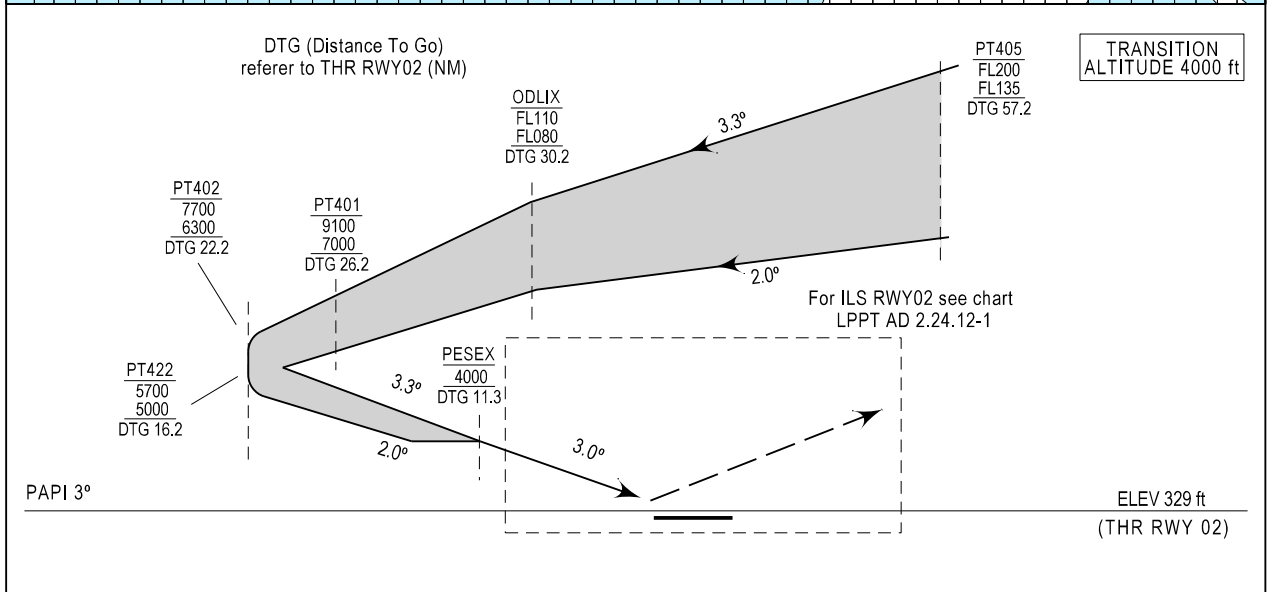
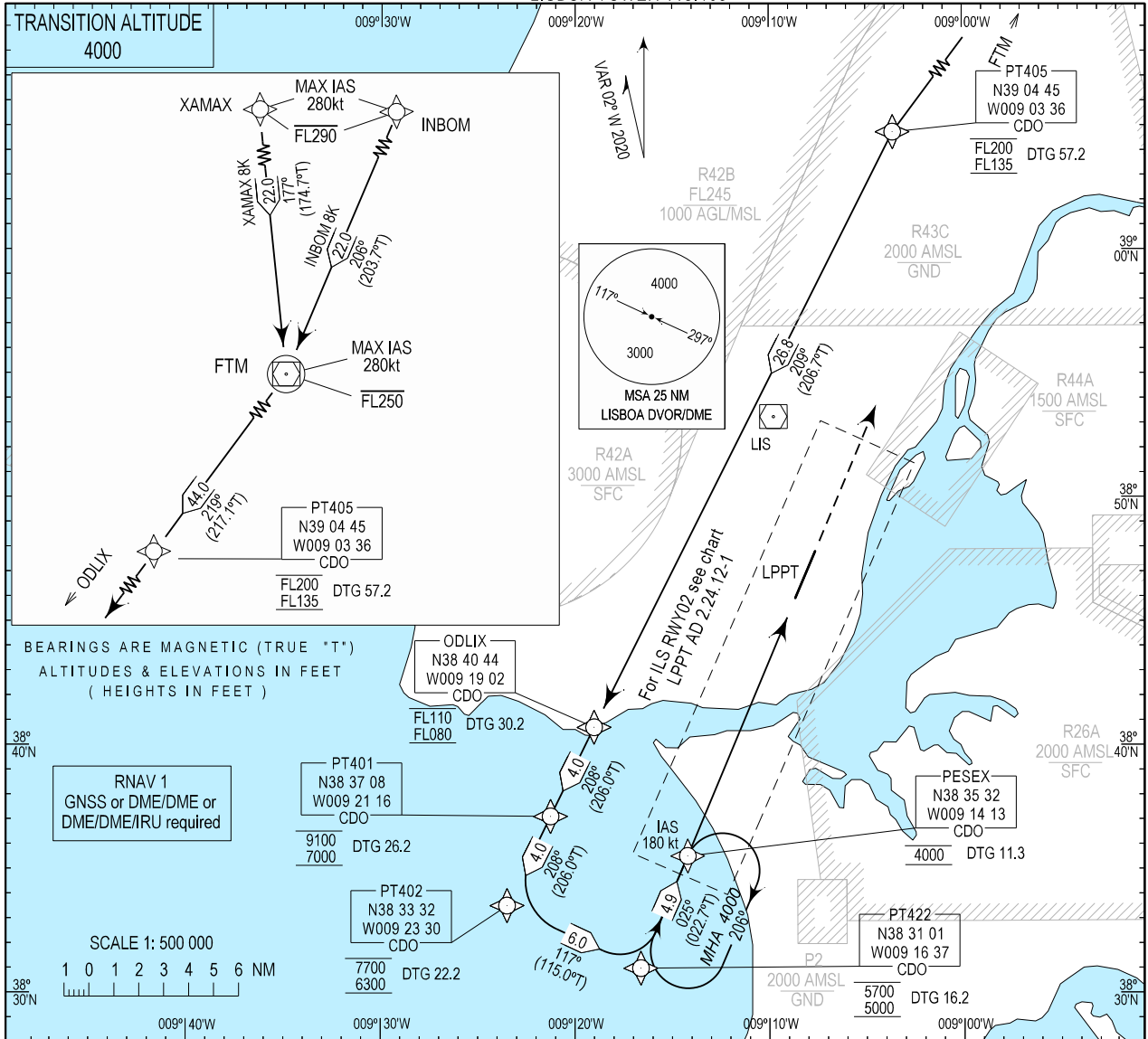


RNAV STAR CDO
STANDARD ARRIVAL CHART -
INSTRUMENT (STAR)

LISBOA ARR INFORMATION 124.155
LISBOA CONTROL 123.980
LISBOA APPROACH 119.105
LISBOA ARRIVAL 125.130
LISBOA TOWER 118.105

LISBOA, Humberto Delgado (LPPT)
CDO RWY 02
INBOM 8K
XAMAX 8K



MAG VAR changed. New RWY designator.

RNAV 1 – GNSS or DME/DME or DME/DME/IRU

RWY02 – CDO STAR RNAV 1 INBOM 8K

Path Terminator	Waypoint			Course/Track MAG (True)	Dist NM	Turn Direction	Constraints		Nav Specs	Remarks
	Identifier	Flyover	Coordinates				Level	Speed		
IF	INBOM	No	400006.9084N 0081807.2063W	-	-	-	- FL290	280Kt	RNAV 1	
TF	FTM	Yes	393956.4527N 0082933.5366W	206 (203.7)	22.000	-	- FL250	280Kt	RNAV 1	Clearance limit: PESEX
TF	PT405	No	390444.8357N 0090336.1348W	219 (217.1)	43.970	Right	-FL200 +FL135	-	RNAV 1	
TF	ODLIX	No	384044.1220N 0091901.5023W	209 (206.7)	26.842	Left	-FL110 +FL080	-	RNAV 1	
TF	PT401	No	383708.2488N 0092115.8332W	208 (206.0)	3.999	-	-9100ft +7000ft	-	RNAV 1	
TF	PT402	No	383332.3345N 0092329.9441W	208 (206.0)	3.999	-	-7700ft +6300ft	-	RNAV 1	
TF	PT422	No	383100.9209N 0091637.3373W	117 (115.0)	5.956	Left	-5700ft +5000ft	-	RNAV 1	
TF	PESEX	No	383532.4200N 0091412.6941W	025 (022.7)	4.900	Left	@4000ft	180Kt	RNAV 1	

RWY02 – CDO STAR RNAV 1 XAMAX 8K

Path Terminator	Waypoint			Course/Track MAG (True)	Dist NM	Turn Direction	Constraints		Nav Specs	Remarks
	Identifier	Flyover	Coordinates				Level	Speed		
IF	XAMAX	No	400151.9619N 0083210.3388W	-	-	-	- FL290	280Kt	RNAV 1	
TF	FTM	Yes	393956.4527N 0082933.5366W	177 (174.7)	22.000	-	- FL250	-	RNAV 1	Clearance limit: PESEX
TF	PT405	No	390444.8357N 0090336.1348W	219 (217.1)	43.970	Right	-FL200 +FL135	-	RNAV 1	
TF	ODLIX	No	384044.1220N 0091901.5023W	209 (206.7)	26.842	Left	-FL110 +FL080	-	RNAV 1	
TF	PT401	No	383708.2488N 0092115.8332W	208 (206.0)	3.999	-	-9100ft +7000ft	-	RNAV 1	
TF	PT402	No	383332.3345N 0092329.9441W	208 (206.0)	3.999	-	-7700ft +6300ft	-	RNAV 1	
TF	PT422	No	383100.9209N 0091637.3373W	117 (115.0)	5.956	Left	-5700ft +5000ft	-	RNAV 1	
TF	PESEX	No	383532.4200N 0091412.6941W	025 (022.7)	4.900	Left	@4000ft	180Kt	RNAV 1	